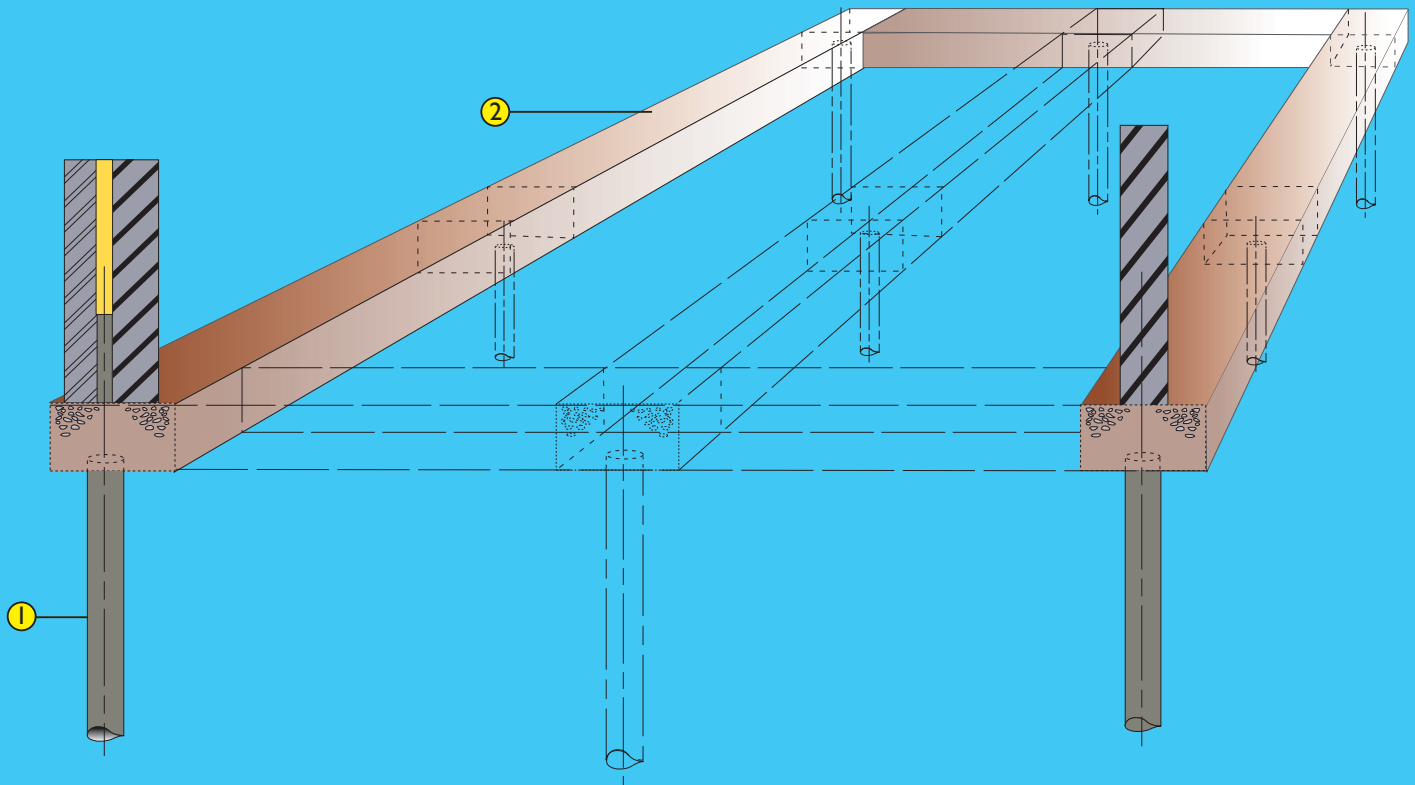




# TECHNICAL INFORMATION

## New Build Piled Foundations

**Typical Section** ① New Foundation Pile ② Foundation Beam (or Slab)



### General Information

Load bearing piles to support structural beams or slabs are a speciality. Load bearing piles can also be used to bridge voids or obstructions

### Anvil Foundations Limited

5300 Lakeside  
Cheadle Royal  
Business Park  
Cheadle  
Cheshire  
SK8 3GP

T 0161 246 6055  
F 0161 246 6100  
E [info@minipiling.co.uk](mailto:info@minipiling.co.uk)  
W [www.pilingUK.com](http://www.pilingUK.com)



INVESTOR IN PEOPLE