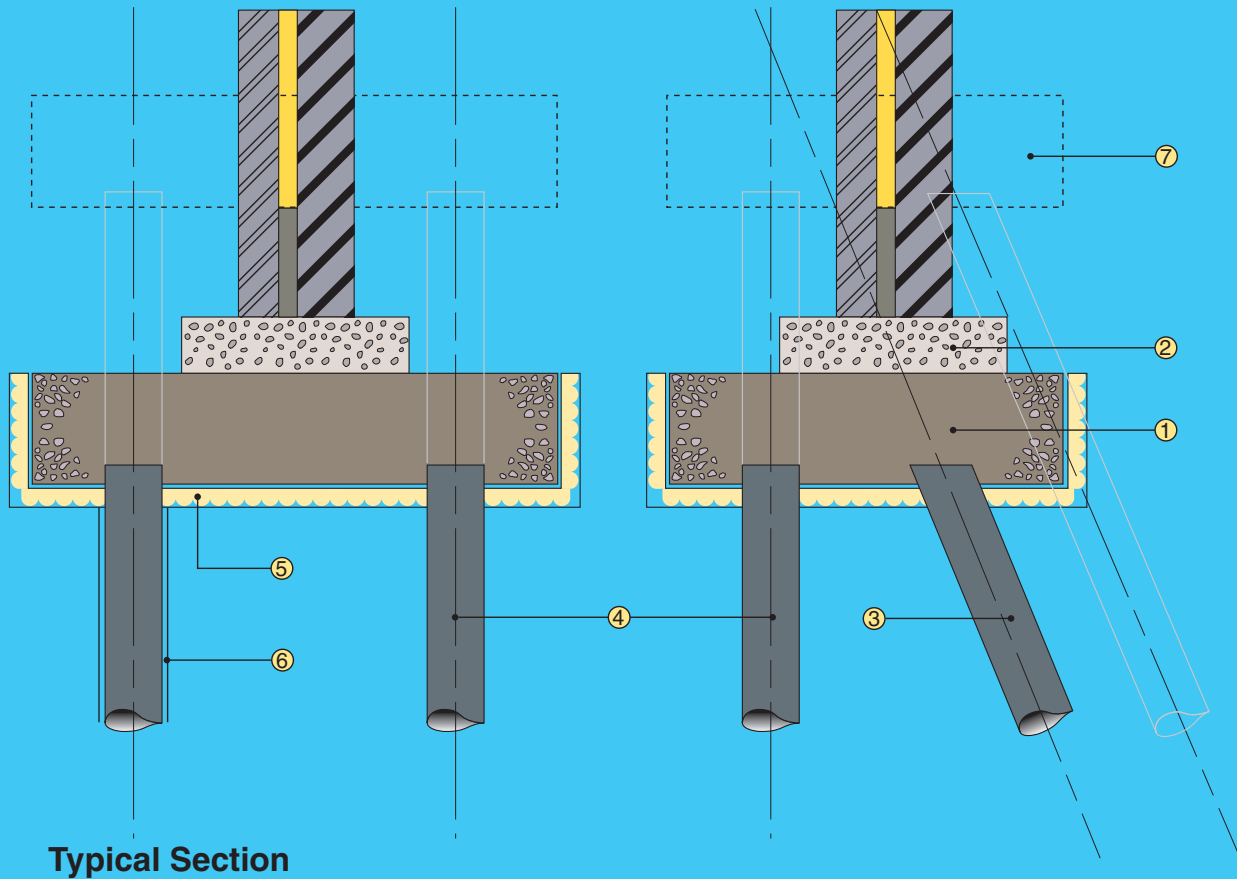




TECHNICAL INFORMATION

Minipiled Underpinning

- ① Reinforced concrete needle beam.
- ② Existing foundation.
- ③ Raking mini pile.
- ④ Vertical mini pile.
- ⑤ Optional antiheave precaution.
- ⑥ Optional slip membrane.
- ⑦ Alternative needle beam position.



General Information

These systems are often used in granular or wet soil conditions where a competent bearing strata is not found at a shallow depth. Piles can be installed from one or both sides and needle beams installed above or below the existing foundation. A very adaptable system.

Anvil Foundations Limited

5300 Lakeside
 Cheadle Royal
 Cheadle
 Business Park
 Cheshire
 SK8 3GP

T 0161 246 6055
 F 0161 246 6100
 E info@minipiling.co.uk
 W www.pilingUK.com



INVESTOR IN PEOPLE